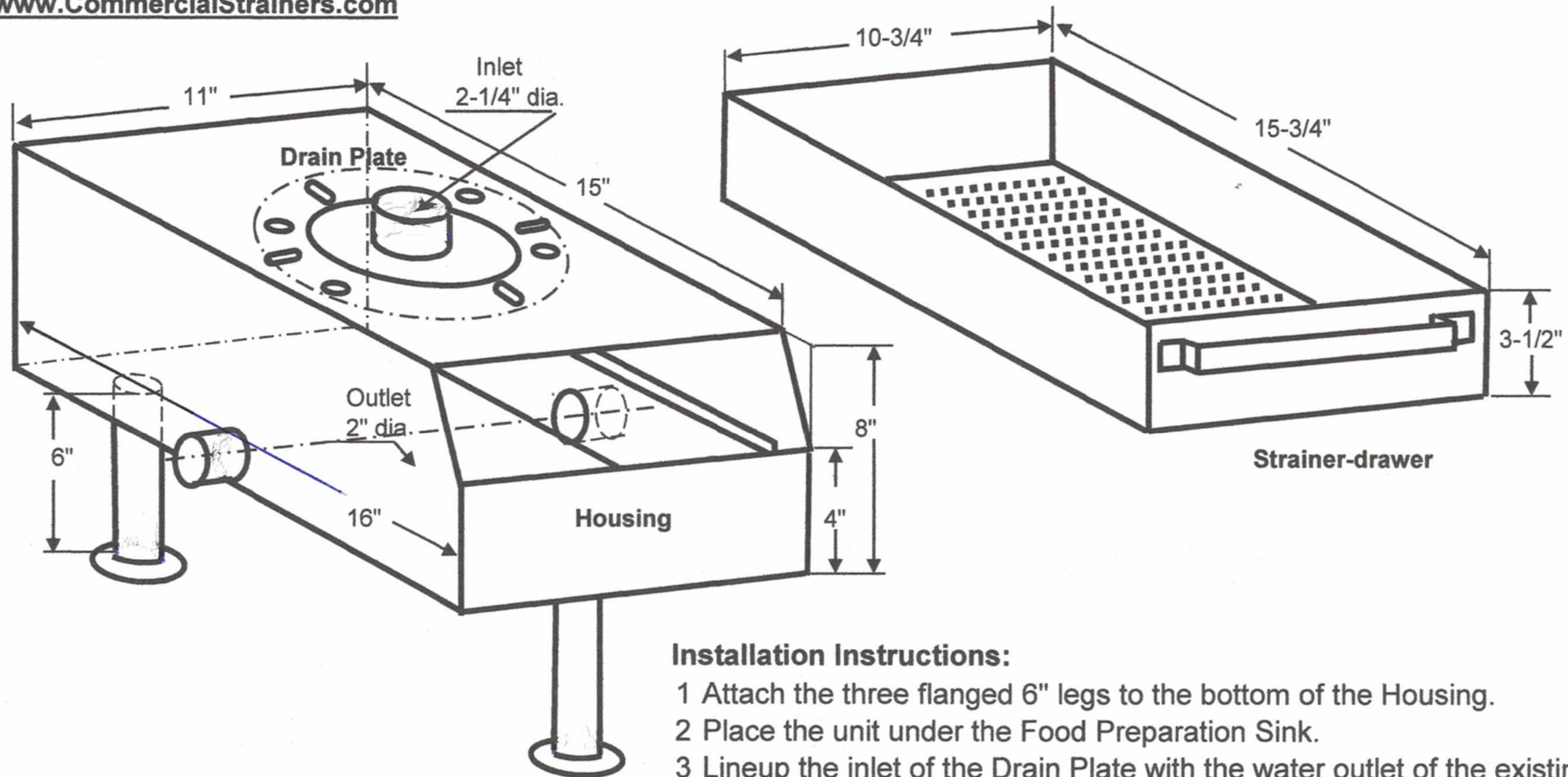


# Commercial Strainers

[www.CommercialStrainers.com](http://www.CommercialStrainers.com)



## Installation Instructions:

- 1 Attach the three flanged 6" legs to the bottom of the Housing.
- 2 Place the unit under the Food Preparation Sink.
- 3 Lineup the inlet of the Drain Plate with the water outlet of the existing plumbing system. The height including the Drain Plate is appr. 16-1/4".
- 4 Level the unit between left and right sides by adjusting the two rear legs. Then, level the unit between the front and back by adjusting the front leg.
- 5 Connect the inlet to the water outlet of the existing plumbing system.
- 6 There is one 2" outlet on each side. Connect the more convenient outlet to the floor drain with plumbing pipes.
- 7 Seal off the unused outlet with the rubber cap provided.
- 8 Bolt down the flanges to the ground for sturdiness.

## Model FPS-610A

(Height: Approximately 16-1/4")

US Patent 007490375B2