

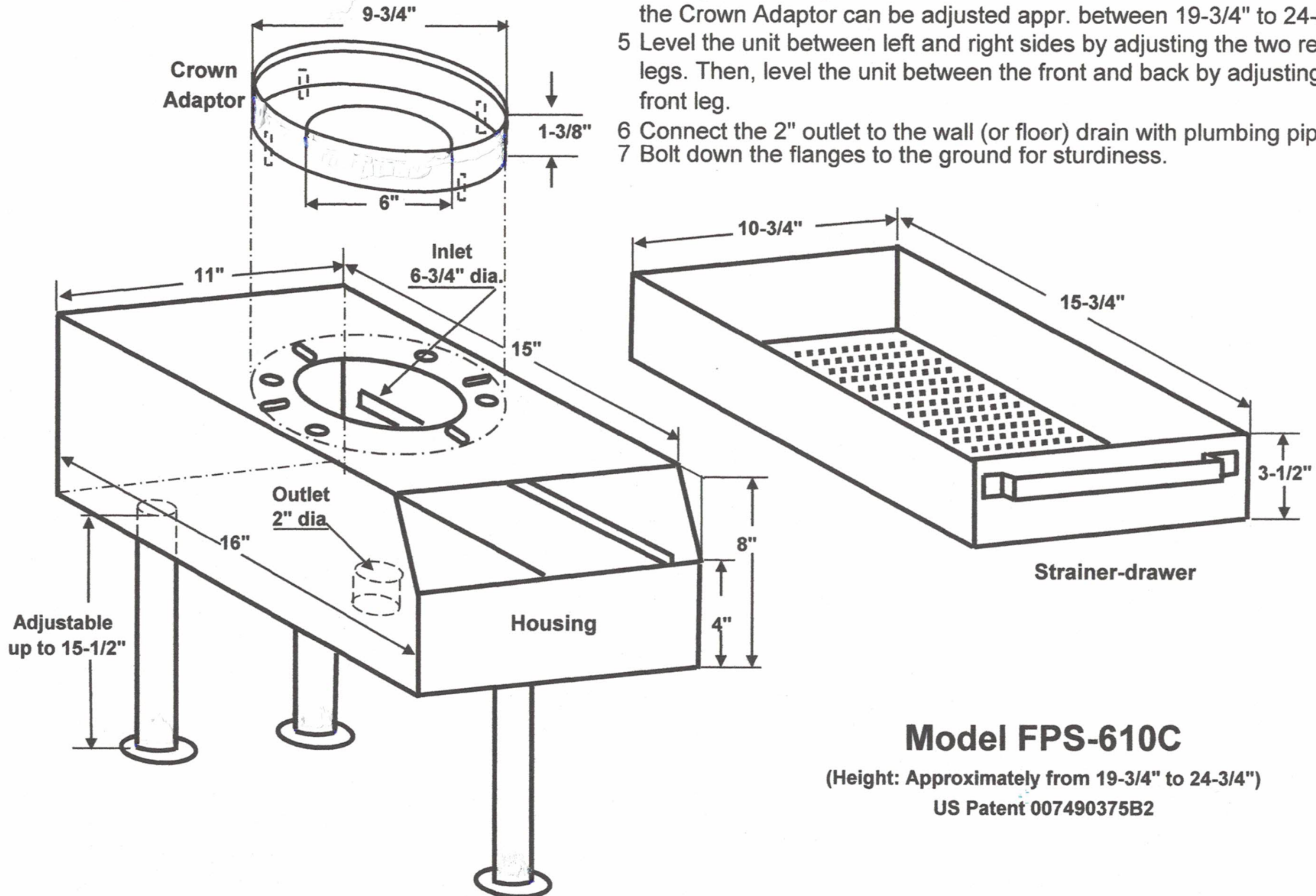
Installation Instructions:

- 1 Secure the Crown Adaptor to the top of the Housing through pre-drilled holes. Fastening hardware is provided.
- 2 Attach the three adjustable legs to the bottom of the Housing.
- 3 Place the unit under the dish table. Raise the unit by adjusting the legs until it is firmly affixed to the sink bowl. The total height including

Commercial
Strainers

www.CommercialStrainers.com

- the Crown Adaptor can be adjusted appr. between 19-3/4" to 24-3/4".
- 5 Level the unit between left and right sides by adjusting the two rear legs. Then, level the unit between the front and back by adjusting the front leg.
- 6 Connect the 2" outlet to the wall (or floor) drain with plumbing pipes.
- 7 Bolt down the flanges to the ground for sturdiness.



Model FPS-610C

(Height: Approximately from 19-3/4" to 24-3/4")

US Patent 007490375B2