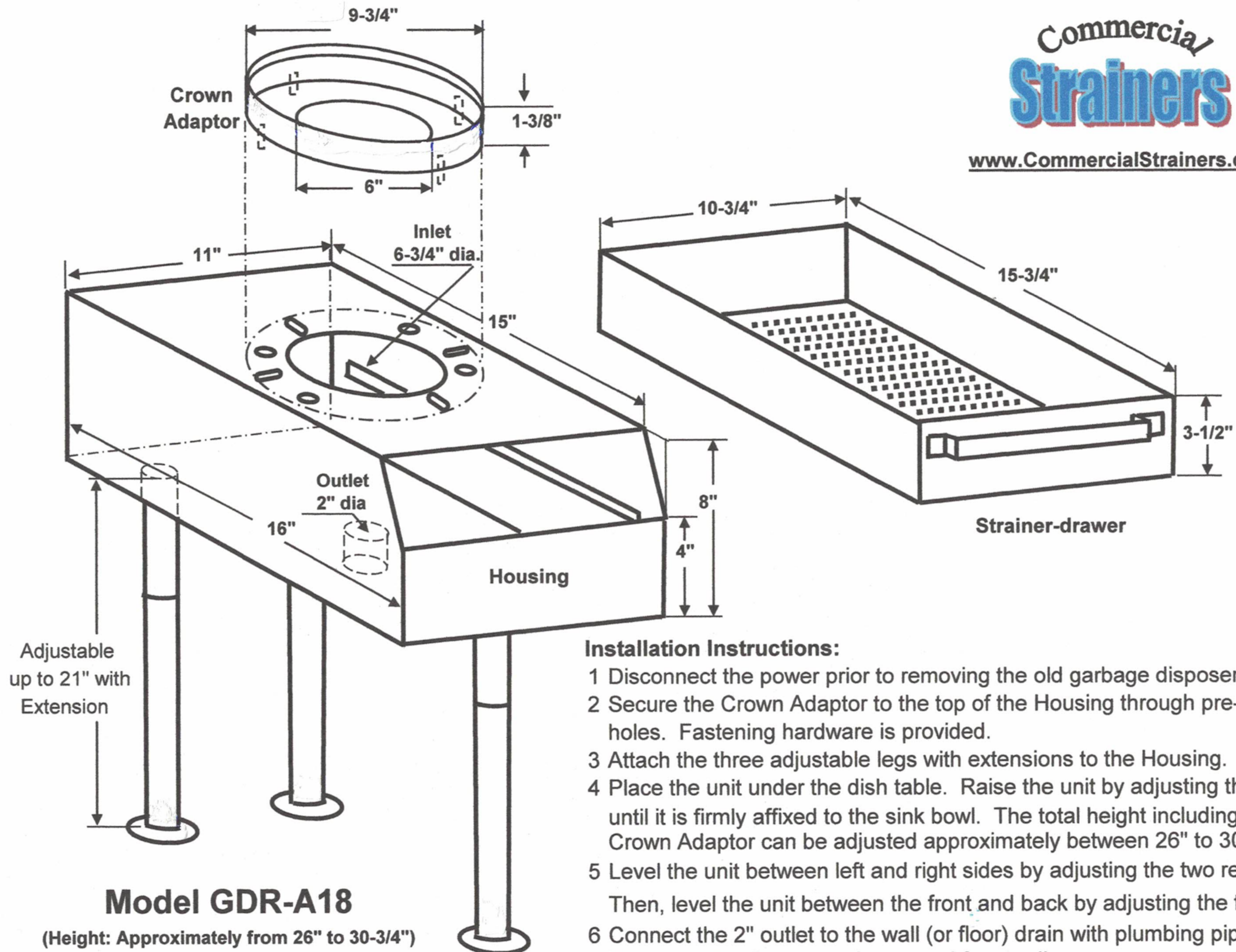


Commercial
Strainers

www.CommercialStrainers.com



Model GDR-A18

(Height: Approximately from 26" to 30-3/4")

US Patent 007490375B2

Installation Instructions:

- 1 Disconnect the power prior to removing the old garbage disposer, if any.
- 2 Secure the Crown Adaptor to the top of the Housing through pre-drilled holes. Fastening hardware is provided.
- 3 Attach the three adjustable legs with extensions to the Housing.
- 4 Place the unit under the dish table. Raise the unit by adjusting the legs until it is firmly affixed to the sink bowl. The total height including the Crown Adaptor can be adjusted approximately between 26" to 30-3/4".
- 5 Level the unit between left and right sides by adjusting the two rear legs. Then, level the unit between the front and back by adjusting the front leg.
- 6 Connect the 2" outlet to the wall (or floor) drain with plumbing pipes.
- 7 Bolt down the flanges to the ground for sturdiness.